



SV-02 headlight



SV-02
front view

Technical specifications:

Design	I M2 Ex de I
Voltage	2PE 230VAC 50Hz IT
Power	25.2W
Cross-section of connected wires	0.5 - 2.5mm ²
Brightness	1230 lm
Temperature range	0 to +40°C
Relative humidity	95% without condensation
Case	IP54
Dimensions	142 x 186 x 130mm
Weight	6.9kg

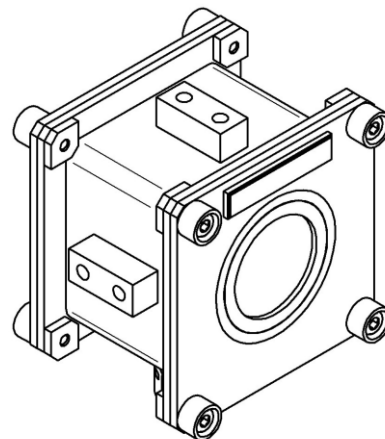
Application

The SV-02 headlight is designed for use in underground mines and surface areas with an increased explosion hazard from methane as defined in EN 1127, section 6.3.2. It is used to illuminate selected areas.

Description:

The SV-02 headlight housing consists of an Ex d solid enclosure. The housing is welded from sheet metal and the body is closed with front and back covers. The body is divided in the middle by a partition. The back side of the partition includes the power supply part with terminals and power source. Power sources are attached to the partition. Modified lighting panels with LEDs are attached to the front side of the partition. The front cover of the housing is fitted with a sight glass. The supply voltage is applied through explosive-proof bushings.

The headlamp emits a white light with no UV component. Lighting panels with LEDs are characterized by long life (over 100,000 hours). The headlamp is mounted to the chosen point with two M10 screws. Mounting feet with M10 threaded holes are used for attaching it. The mounting feet are on the sides of the housing.



Entire view
of SV-02

The catalogue has only those selected important parameters for your final decision. For project designs always ask for the user's guide for this product and any engineering consultation about possible uses.